

BOSUN SEAT

The **SKY CLIMBER® BOSUN SEAT** is the ideal solution for quick inspections, window cleaning or light maintenance to any building or structure. Powered by our Compact 400* hoist, it will give you more than enough lifting capacity and you remain in full control thanks to the easy to reach pendant control.



Technical Data:

• Platform Type	Bosun Chair
• Platform Material	Welded Steel
• Self-weight	120 kg
• Safe Working Load on Platform	90 kg (1 person)
• Nominal Length	1020 mm
• Total Width	650 mm
• Total Height	2000 mm
• Hoisting Height	40 m
• Hoisting / Lowering Speed (powered)	8,5 m/min
• Emergency Descent Speed	9 m/min
• Suspension Wire Ropes	one
• Safety Wire Ropes	one
• Wire Rope Specification	8,4 mm
• Wire Rope Safety Factor	10:1
• Hoist Unit	Sky Climber Compact 400*
• Over-speed Device	Sky Lock III 8 mm
• Power Supply	230V - 380-415V

** Other hoist options available upon request*

Additional Safety Devices (Optional):

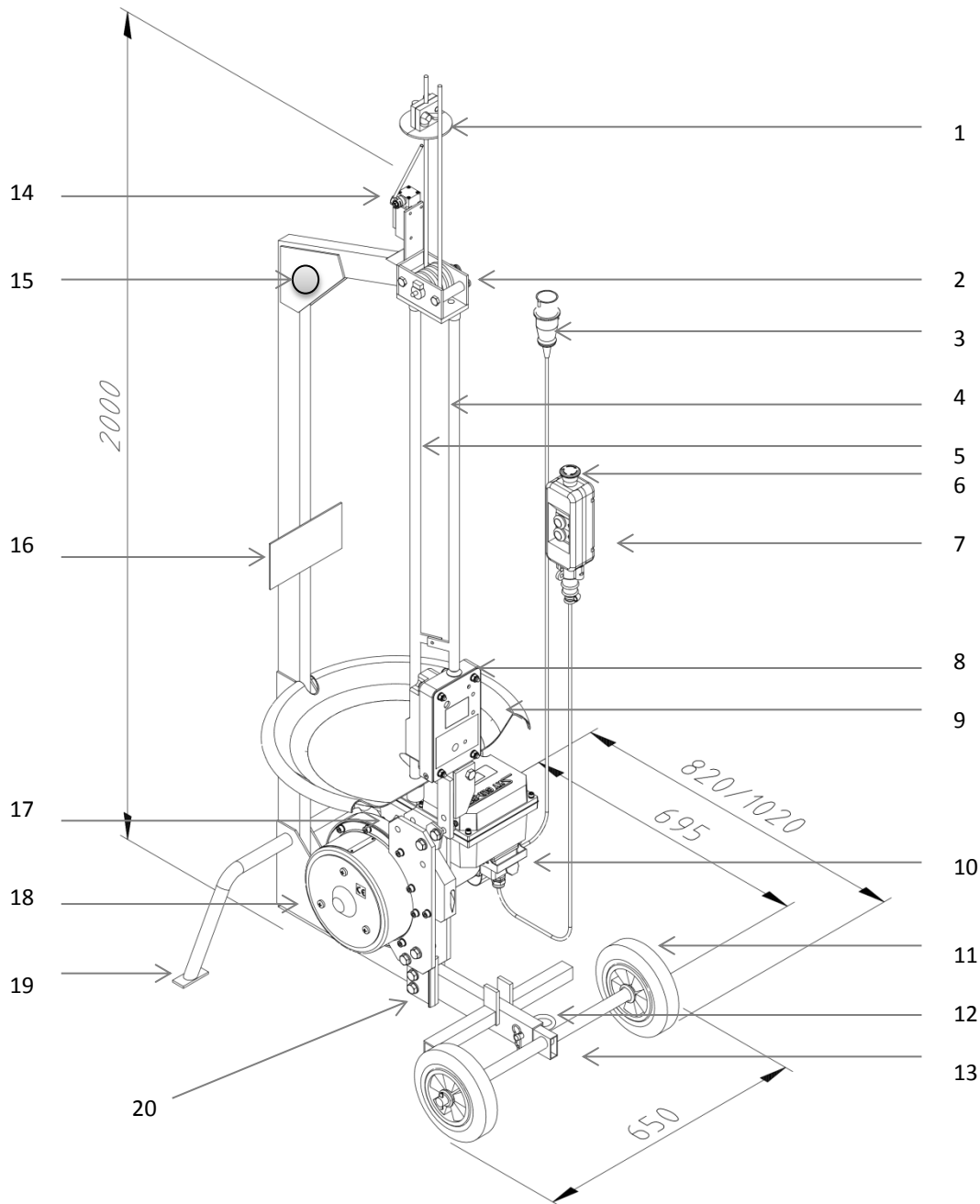
- Top Limit Switch
- Ultimate Top Limit Switch
- Overload Device
- Emergency Stop Button on Control Station
- Safety Belt
- Twin Drum Wire Winder Assembly
- 24V Control Station

Base Frame Construction:

The base frame is a welded steel frame that is shot blasted and painted. Hard rubber wall rollers together with an underside caster wheel unit are standard features.

Hoist Unit:

The platform is raised and lowered by means of an electrical hoist. The hoist is fitted with a fail-safe primary brake, which can be manually released by the **Bosun Seat** operator. This allows the **Bosun Seat** to descend to ground level under gravity at a controlled speed of approximately 9 m/min in case of an event of a power failure.



1 Striker plate	11 Wheels
2 Cable guiding	12 Clip to lock telescopic wheel support
3 Power socket	13 Telescopic wheel support
4 Safety cable guiding tube	14 Top limit switch
5 Suspension cable guiding tube	15 Rigging point for safety belt
6 Emergency button	16 Back rest
7 Pendant control with up/down buttons	17 Hoist bracket, stabilizer
8 Sky Lock III	18 Hoist
9 Seat	19 Supports
10 Plug to hoist	20 Bolts and nuts for hoist connection

SKY CLIMBER®

ACCESS INNOVATIONS SINCE 1955

Count on SKY CLIMBER® for your next project....

Since 1955 we are the industry leader in designing, manufacturing and distributing standard & custom made suspended access systems used in industrial, commercial, construction and maintenance applications.

N.V. SKY CLIMBER EUROPE S.A.
Nijverheidsstraat 23 - 2570 Duffel - Belgium

E-mail: info@skyclimber.be - Web site: [http:// www.skyclimber.com](http://www.skyclimber.com)
Tel: +32 (0)3 887 81 20 - Fax: +32 (0)3 887 09 94

rev. 01-04-2014

