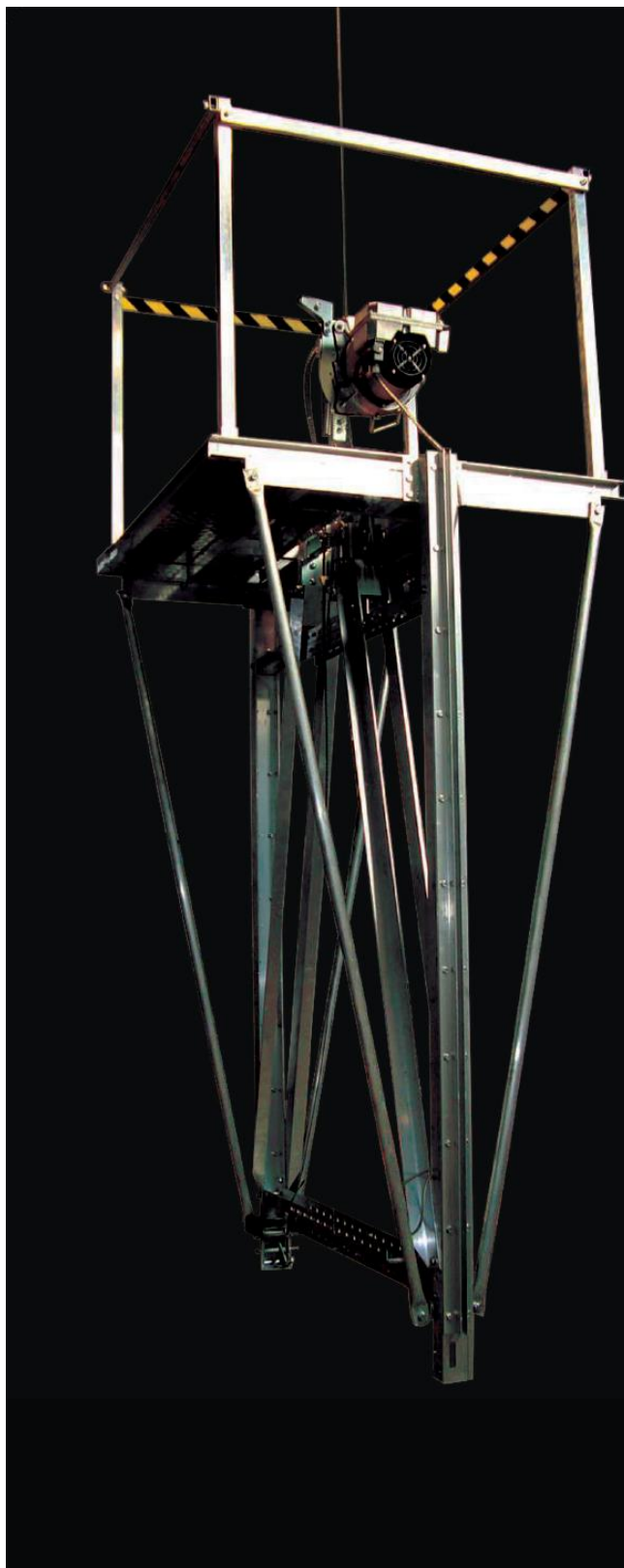


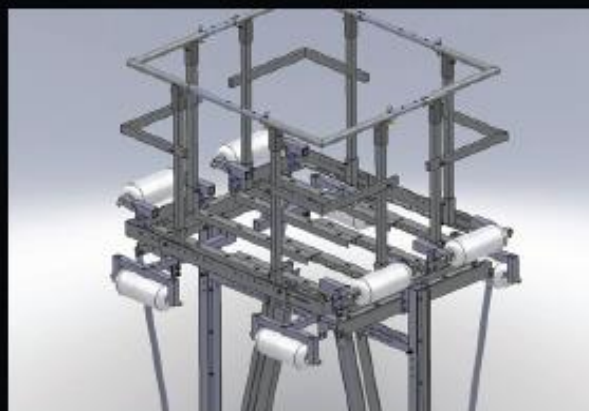
FALSE CARS



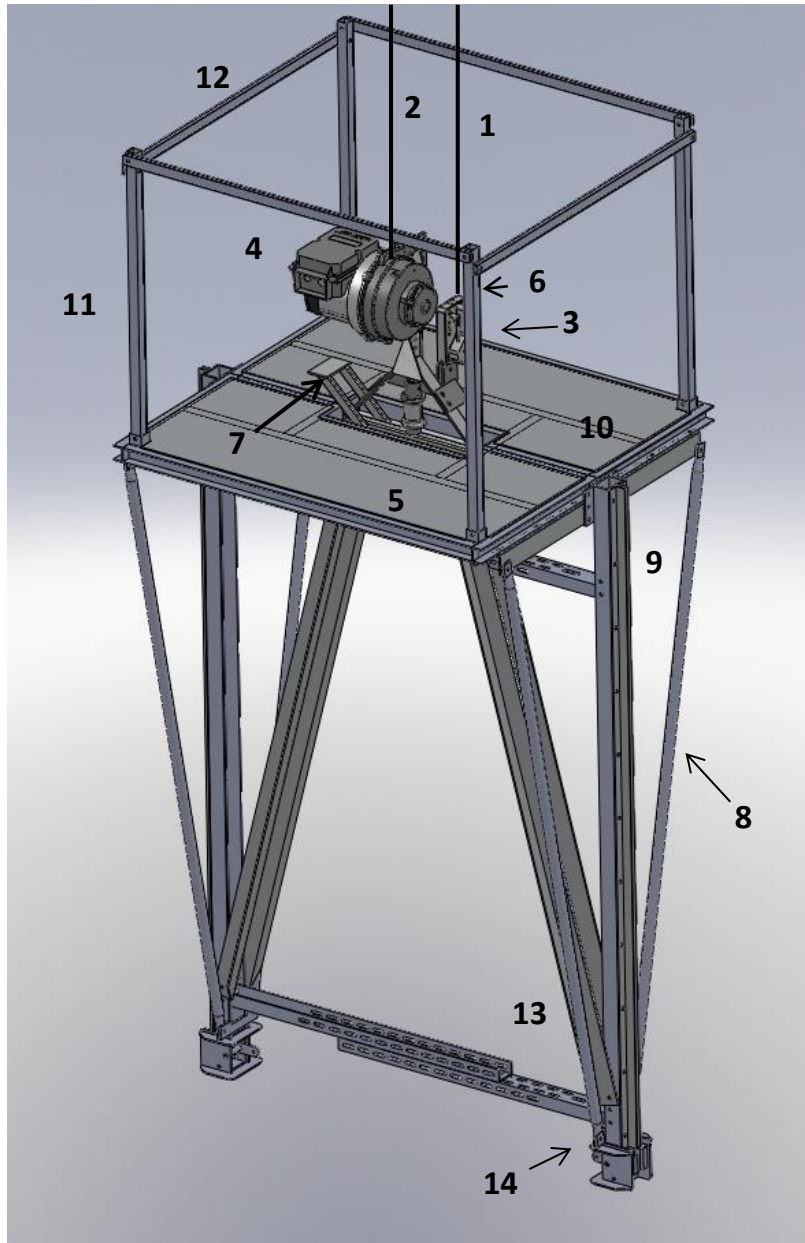
False Car Powered Platform: Safe & Economical

- Unlimited working height
- High on safety & low on liability
- Sky Lock (over speed safety device on a secondary safety rope)
- Top and bottom Limit Switch & Striker plate
- Sky Climber "Alpha" single or three phase electric rigging hoists with capacities of 500 kg, 800 kg & 1000 kg to guarantee safe working loads of 200 kg, 570 kg and 765 kg
- Proprietary adjustable aluminium platform and fully adjustable floor frame to suit most shaft sizes
- Quick assembly & disassembly in elevator shafts
- Helps in quick installation of rails and
- Auxiliary "Winches" for material lifting

available with
Soft Telescopic Rollers, Handrails & Canopy



TECHNICAL SPECIFICATIONS:



1 Safety rope	8 Guiding tree left and right
2 Suspension rope	9 L-support for floorsection
3 Skylock overspeed safety device	10 Floorsection
4 Hoist	11 Corner-posts
5 Overload/underload safety device	12 Side guard rails
6 Top and bottom limit switch	13 Cable-system for rail-brakes
7 Stirrup with brake pedal	14 Brake system

For over 55 years, **SKY CLIMBER®** has been designing, engineering and manufacturing quality hoists, rigging solutions and modular work platforms.

Contact your local sales representative or visit our website for more information:

SKY CLIMBER®
ACCESS INNOVATIONS SINCE 1955

info@skyclimber.be - www.skyclimber.com

