

## **SKY PI /B.M.U.**

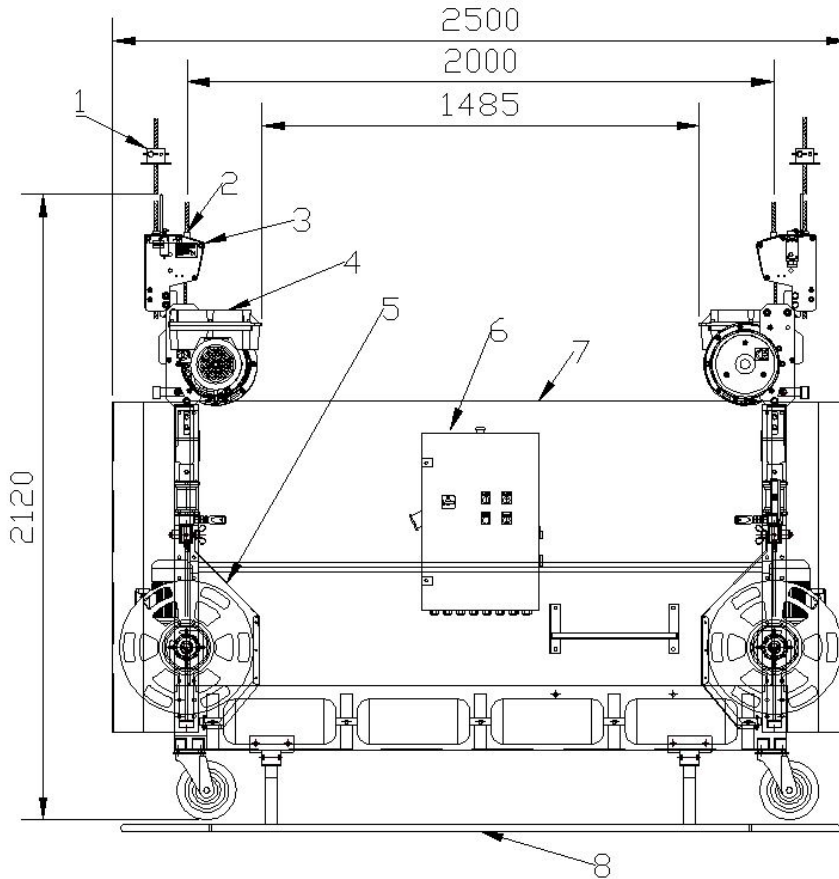
The **SKY CLIMBER®** powered PI/BMU (Permanent Installation/ Building Maintenance Unit) is designed to provide efficient working access for permanent installations in many types of buildings and structures. It is one of our most used cradles for monorails and roof cars and has been applied in various permanent installations worldwide.

The Sky PI/BMU is equipped with aluminum cladding and all the necessary safety features to guarantee worker safety. With the choice between Sky Grip (CE) or Sky Lock the safety features are adaptable to every situation. Wire winders for steel cable storage ensure that the Sky PI/BMU can be used safely in areas where no free hanging ropes are allowed.

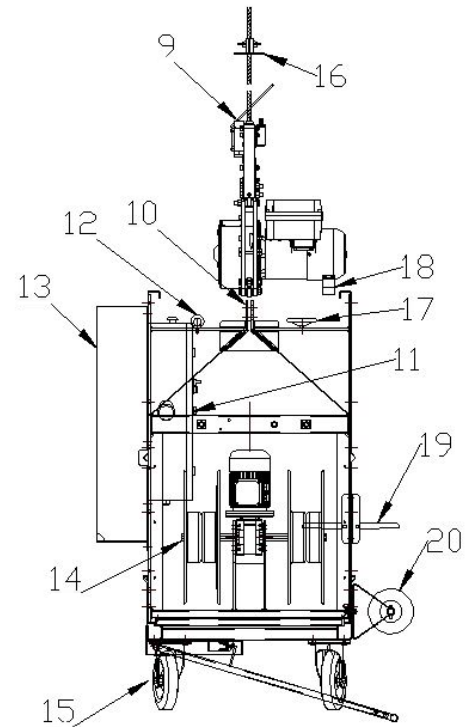
Together with the **SKY CLIMBER®** compact hoist, the Sky PI/BMU can carry up to 2 persons and materials.



- Rated load: 240 kg
- Self-weight: 350 kg
- Wind conditions: Max 12 m/s
- Max. allowed persons: 2
- Standard configuration with Compact hoists, other configurations and hoists possible upon request



Conform CE & EN1808



- |   |  |
|---|--|
| 1 Safety rope   | 11 Sky OL (electronic overload inside Central Control Box) |
| 2 Suspension rope   | 12 Eye bolt  |
| 3 Sky Grip  | 13 Electric supply cable collection bin                    |
| 4 Compact hoist, 400 kg   | 14 Twin drum Wire Winder                                   |
| 5 Wire winder protection  | 15 Castor wheel  |
| 6 Central Control Box with anti-tilting device and tool outlet for 1 phase hand tools | 16 Striker plate   |
| 7 Cradle with aluminum cladding   | 17 Hand wheel  |
| 8 Bottom limit trip bar   | 18 No power descent lever                                  |
| 9 Top limit switch + ultimate top limit switch  | 19 Foot step   |
| 10 Steel Stirrup  | 20 Wall roller   |

Count on **SKY CLIMBER®**, backed by more than 55 years of industry experience and known for many innovative and industry first achievements.

34LLE001 - rev. 07-05-2014

