

## SKY PI CAGE

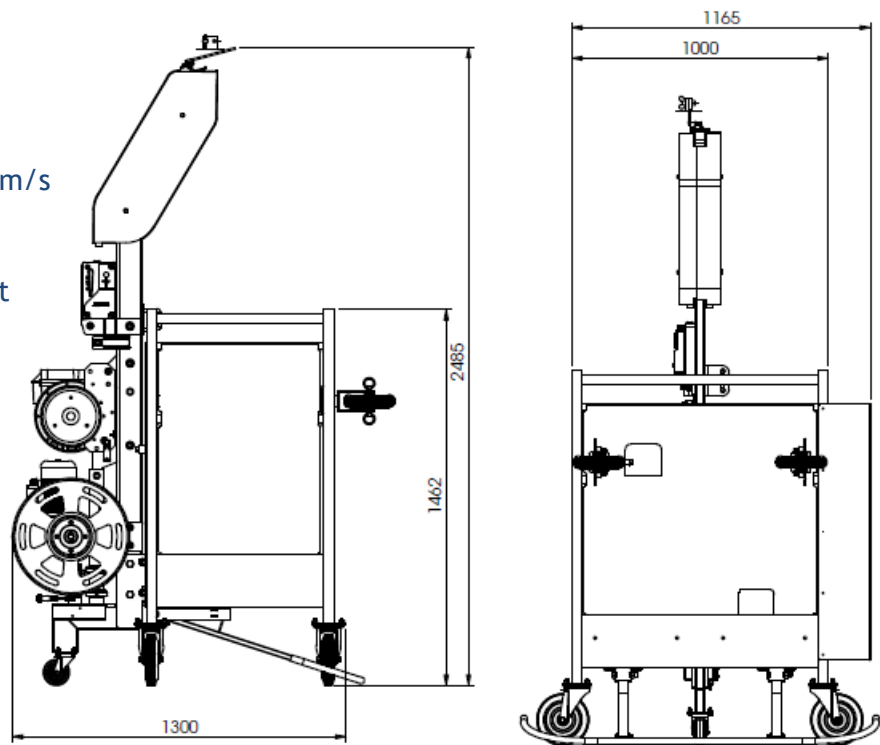
The **SKY CLIMBER®** powered **SKY PI CAGE** (Permanent Installation CAGE) is designed to provide efficient working access for permanent installations in many types of buildings and structures. With a standard length of 1 or 1,5 meter this single hoist cradle is used on monorails and roof cars and has been applied in various permanent installations worldwide.

The **SKY PI CAGE** is equipped with aluminum or mesh cladding and all the necessary safety features to guarantee worker safety. Wire winders for steel cable storage ensure that the **SKY PI CAGE** can be used safely in areas where no free hanging ropes are allowed.

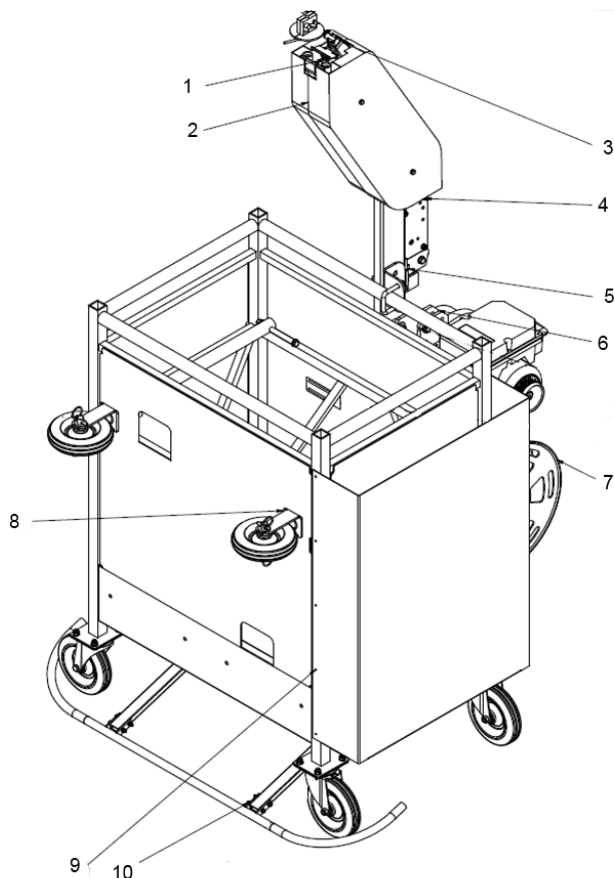
Together with the **SKY CLIMBER®** LNX or Compact hoist, the **SKY PI CAGE** is suitable for 1 person and equipment.



- Rated load: 120 kg
- Self-weight: 260 kg
- Wind conditions: Max 12 m/s
- Max. allowed persons: 1
- Standard configuration with Compact 400 hoist, other configurations and hoists possible upon request



Conform **CE** & EN1808



- 1 Ultimate Top Limit for PI, WTS mounted
- 2 Walk Through Stirrup
- 3 Top Limit switch for PI, WTS mounted
- 4 Sky Lock III -8mm
- 5 Sky Lock support assembly for WTS
- 6 Compact 400 hoist
- 7 Wire Winder assembly
- 8 Rotatable wall rollers
- 9 Cable bin, side mounted
- 10 Bottom trip bar

Count on **SKY CLIMBER®**, backed by more than 55 years of industry experience and known for many innovative and industry first achievements.

