

SKY STAGE 500e - 505e

The new **SKY CLIMBER® SKY STAGE 500e/505e** is designed for use with any **SKY CLIMBER®** powered rigging hoist. The combination forms a complete modular heavy duty suspended access system and is a cost effective complement to the range of **SKY CLIMBER®** products. Apart from the suspension stirrups, which are made from hot dipped galvanized steel, all components are aluminum alloy.



Modular:

Using 1, 2 or 3 m modules, the **SKY STAGE 500e/505e** can be assembled to achieve a maximum length of 12 m between suspension centers. As an alternative walk-through or crawl-through stirrups can be used combined with end guard rails to give better access to corners of buildings. In combination with available corner sections and hinges, any configuration can be assembled. 1 or 1,5 m sections, combined with a walk-through stirrup, forming a single hoist operating cage.



SS 505e for boiler applications:

SKY STAGE 505e platforms are made of specially designed split deck sections which can be introduced through any manhole as small as 46 cm. The platforms are modular and are delivered in deck and guardrails sections to assemble the required platform.



Safety:

All Standard configurations are CE (EN1808) approved, meeting or exceeding European safety regulations.



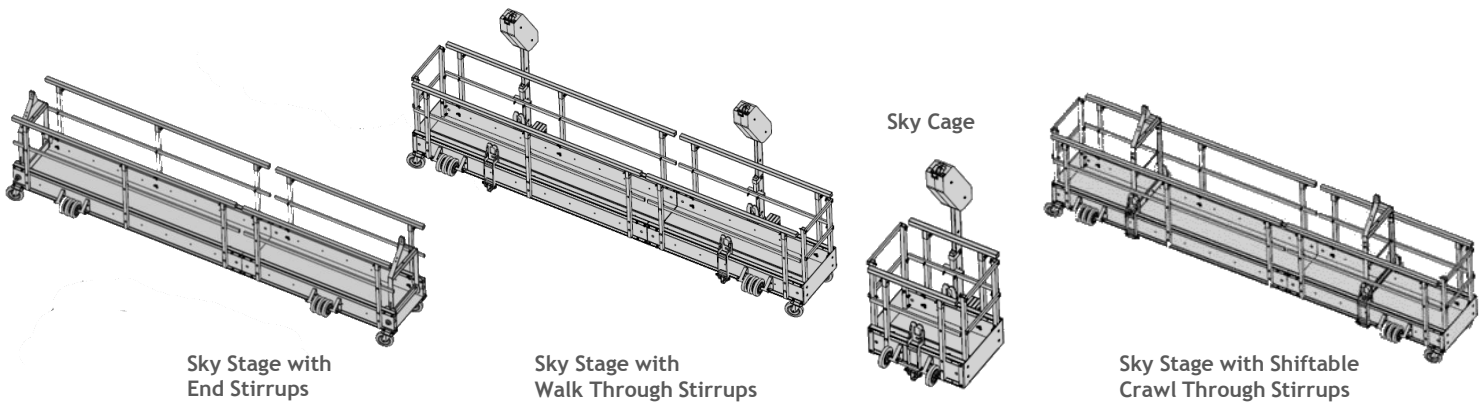
Since 1955 you can count on SKY CLIMBER®... backed by more than 55 years industry experience, known for many innovative, industry first achievements, leading a safe, fast and strong way into the future.

TECHNICAL SPECIFICATIONS

Sky Stage 500e					Hoists: WLL - Work Load Limit									
LOAD CHART for End Stirrup Suspended Platforms, according to EN 1808 (PN 12009370)					400 Kg		500 Kg		650 Kg		800 Kg		990 Kg	
Length of platform	Configuration	Number of hoists	Self-weight (platform only)	Rated load	Max. nr. of persons	Rated load	Max. nr. of persons	Rated load	Max. nr. of persons	Rated load	Max. nr. of persons	Rated load	Max. nr. of persons	
				(persons included)		(persons included)		(persons included)		(persons included)		(persons included)		
[m]			[Kg]	[Kg]		[Kg]		[Kg]		[Kg]		[Kg]		
2	2	2	121	360	2	360	2	360	2	360	2	360	2	
3	3	2	146	525	3	540	3	540	3	540	3	540	3	
4	2+2	2	177	490	4	650	4	700	4	720	4	720	4	
5	2+3	2	202	315	2	625	5	760	5	900	5	900	5	
6	3+3	2	227	270	2	425	3	740	6	1080	6	1080	6	
7	2+3+2	2	258	235	1	360	3	720	6	1080	7	1080	7	
8	3+2+3	2	283	215	1	325	2	610	5	900	8	900	8	
9	3+3+3	2	308	195	1	295	2	480	4	660	5	660	5	
10	3+2+2+3	2	339	165	1	265	2	440	3	520	4	520	4	
11	3+3+2+3	2	364	150	1	245	2	370	3	430	3	-	-	
12	3+3+3+3	2	389	135	1	225	1	310	2	360	3	-	-	

Sky Stage 505e					Hoists: WLL - Work Load Limit									
LOAD CHART for End Stirrup Suspended Platforms, according to EN 1808 (PN 12009371)					400 Kg		500 Kg		650 Kg		800 Kg		990 Kg	
Length of platform	Configuration	Number of hoists	Self-weight (platform only)	Rated load	Max. nr. of persons	Rated load	Max. nr. of persons	Rated load	Max. nr. of persons	Rated load	Max. nr. of persons	Rated load	Max. nr. of persons	
				(persons included)		(persons included)		(persons included)		(persons included)		(persons included)		
[m]			[Kg]	[Kg]		[Kg]		[Kg]		[Kg]		[Kg]		
2	2	2	125	360	2	360	2	360	2	360	2	360	2	
3	3	2	151	515	3	540	3	540	3	540	3	540	3	
4	2+2	2	185	445	3	635	4	680	4	720	4	720	4	
5	2+3	2	211	300	2	610	5	750	5	900	5	900	5	
6	3+3	2	238	260	2	405	3	730	6	1080	6	1080	6	
7	2+3+2	2	271	220	1	340	2	710	5	1080	7	1080	7	
8	3+2+3	2	298	200	1	305	3	600	5	890	7	890	7	
9	3+3+3	2	324	-	-	280	2	460	3	640	5	640	5	
10	3+2+2+3	2	358	-	-	245	2	430	4	500	4	500	4	
11	3+3+2+3	2	384	-	-	225	1	360	3	410	3	-	-	
12	3+3+3+3	2	411	-	-	210	1	300	2	340	2	-	-	

Load chart for Walk Through and Shiftable Crawl Trough Suspensions Stirrups and Sky Cage available upon request



Sky Stage with End Stirrups

Sky Stage with Walk Through Stirrups

Sky Cage

Sky Stage with Shiftable Crawl Through Stirrups

SKY CLIMBER
ACCESS INNOVATIONS SINCE 1955

info@skyclimber.be - www.skyclimber.com

