

User Manual



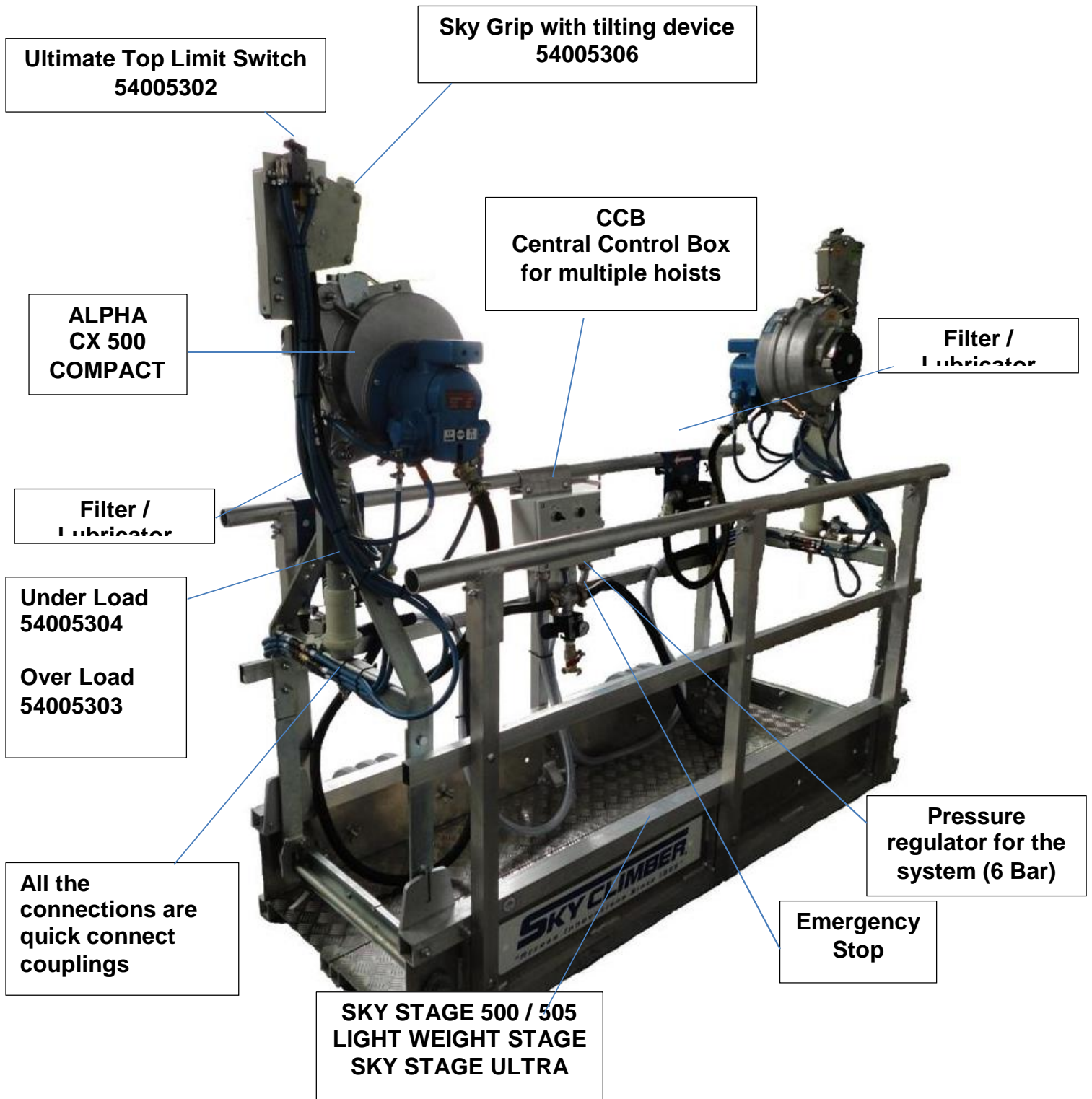
Air CCB

(For Compact, CX 500 and ALPHA Hoists)

N.V. Sky Climber Europe S.A.
Nijverheidsstraat 23
2570 Duffel
Belgium

Tel. +32 (0)3 887 81 20
Fax +32 (0)3 887 09 94
info@skyclimber.be
www.skyclimber.com

Overview



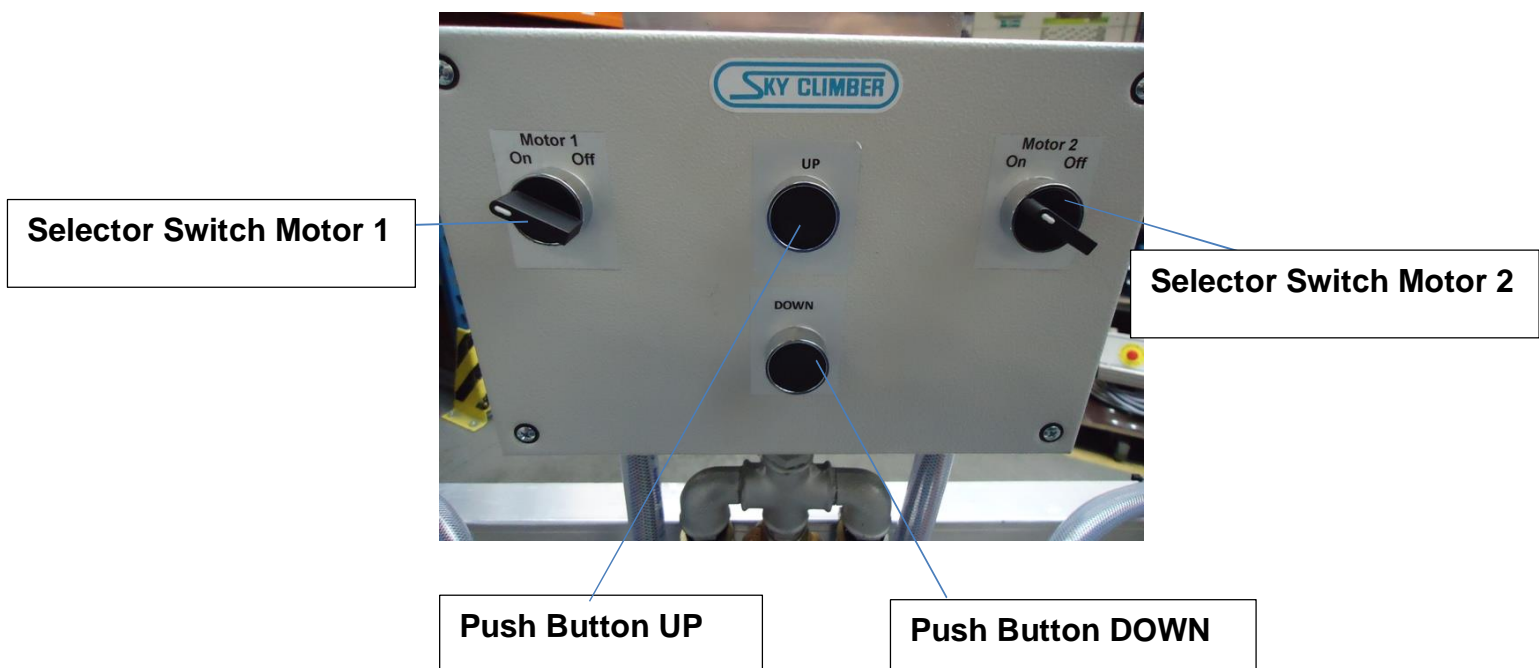
Pneumatic Hoist

Compact Air
CX 500 Air
Alpha 500 & 800 Air

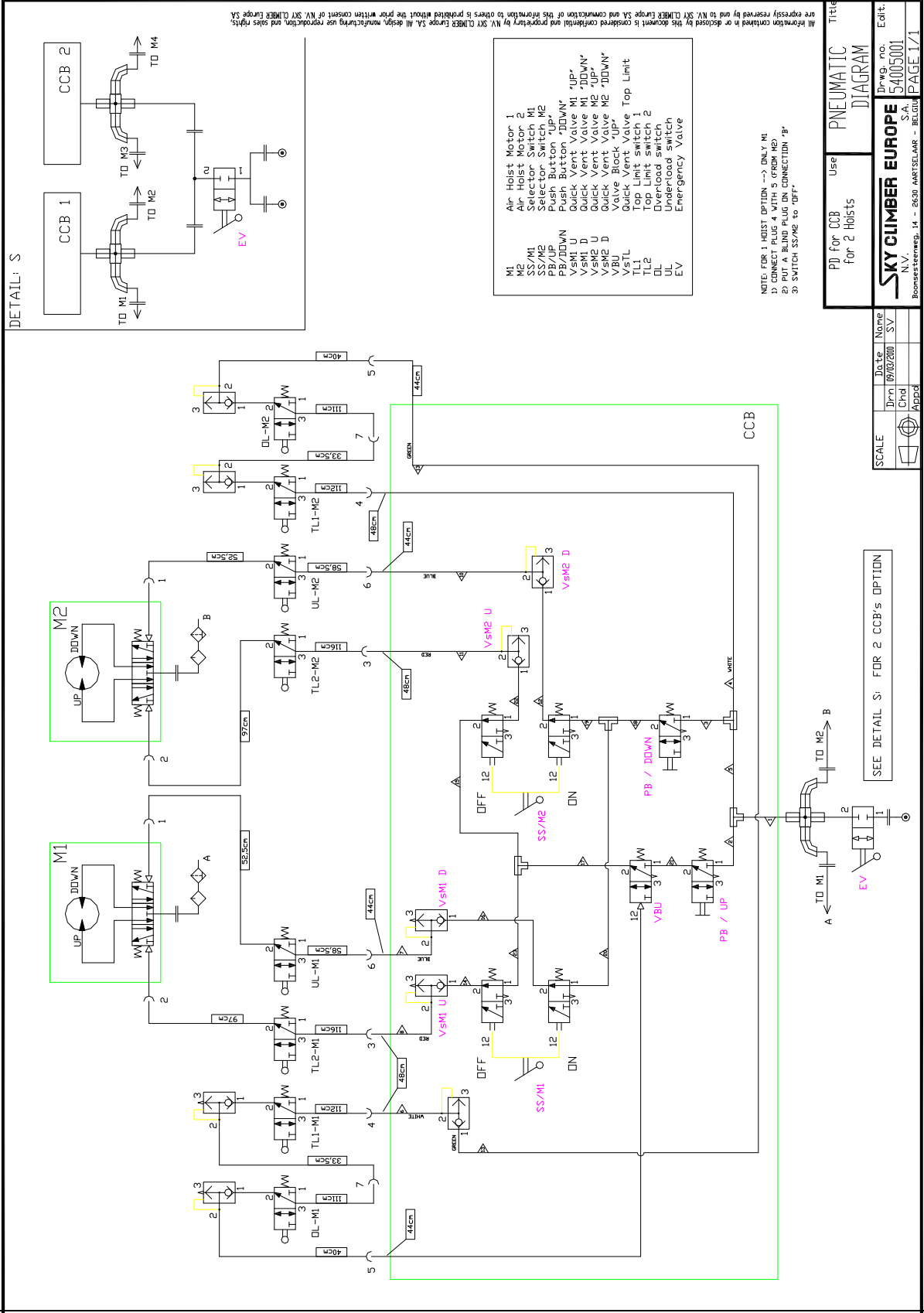
Anti-tilting Device

Type SKY GRIP 9mm
See user manual SKY GRIPq56UMM001.pdf

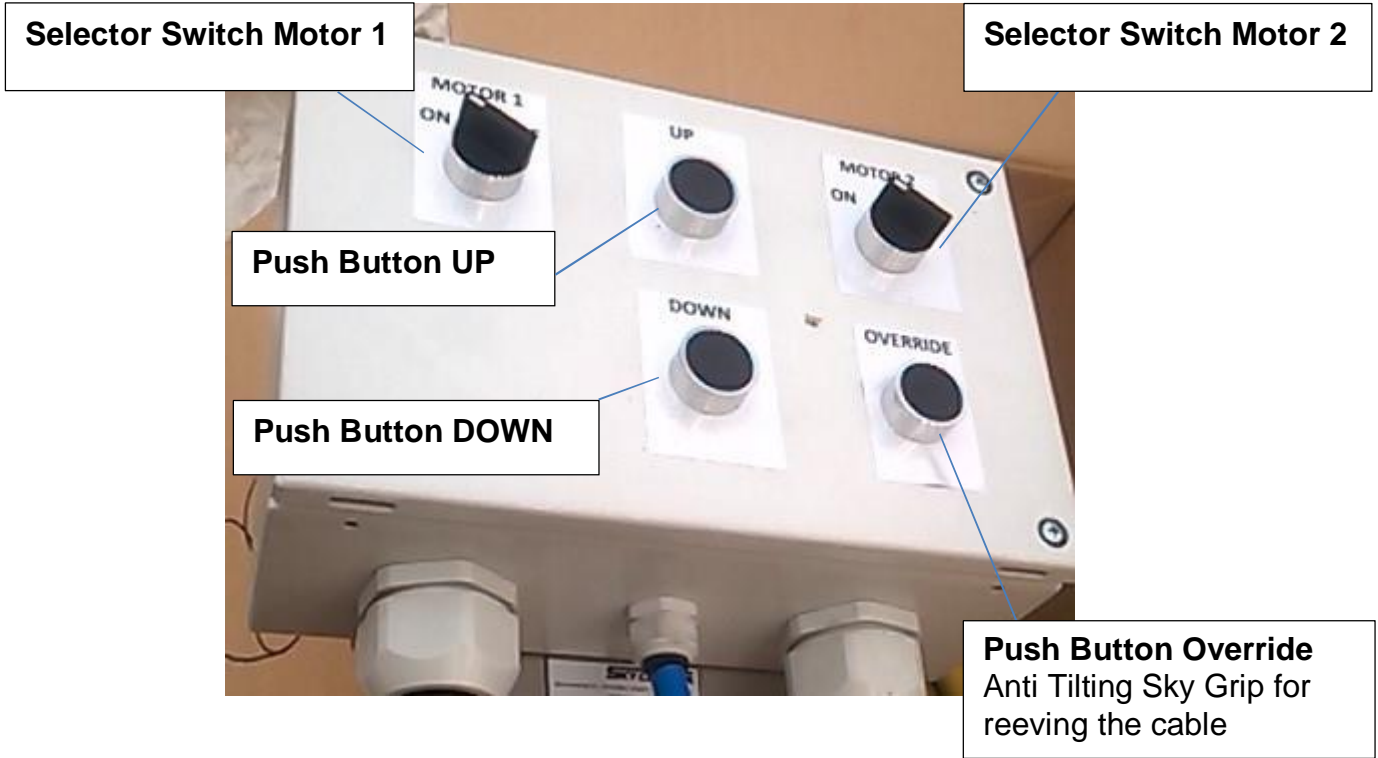
The Central Control Box



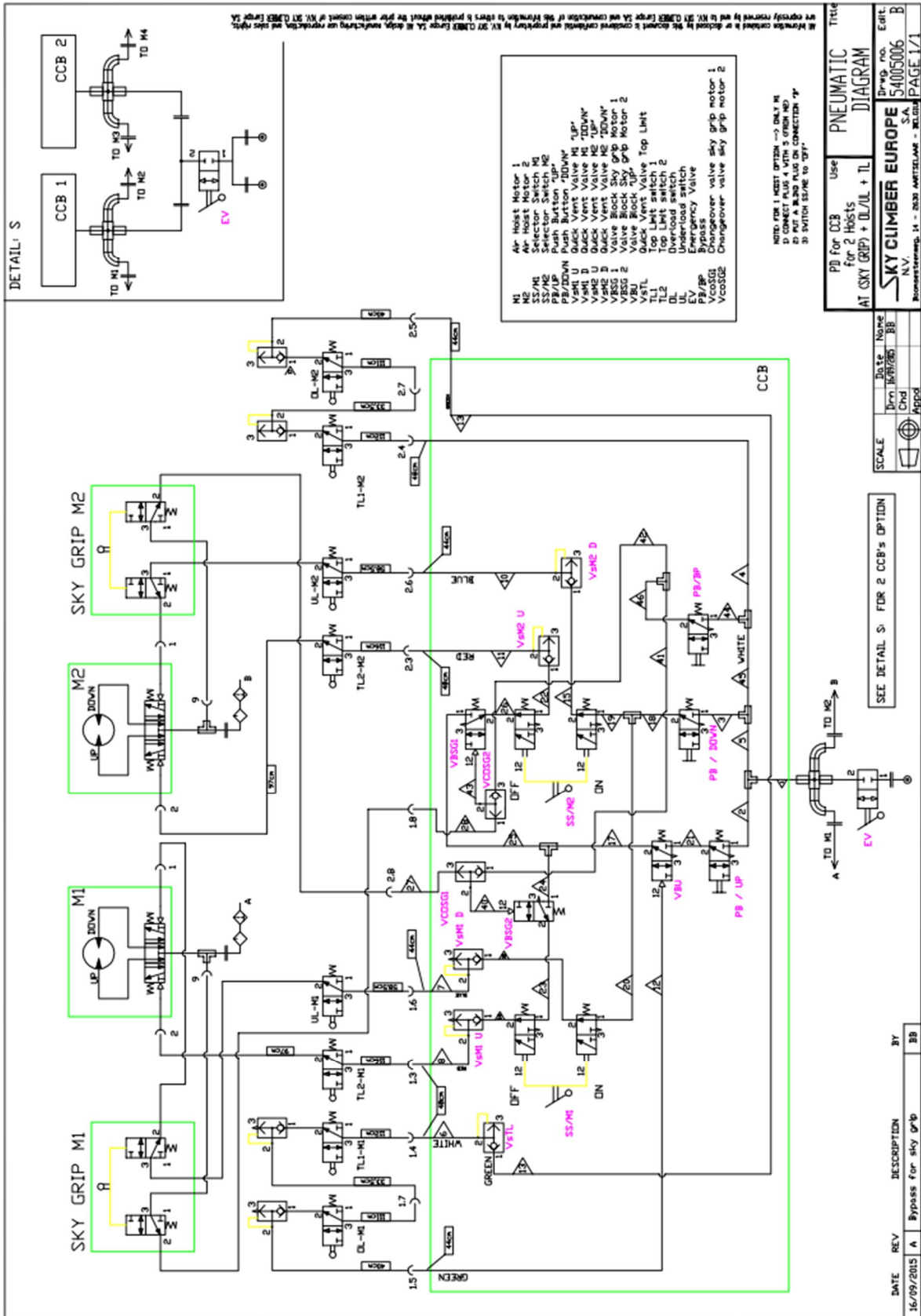
Wire diagram Air CCB



Central Control Box with anti tilting Sky Grip



Wire diagram Air CCB with anti tilting Sky Grip



Pneumatic scheme for hoist

FIG.: 41081026-f02

